

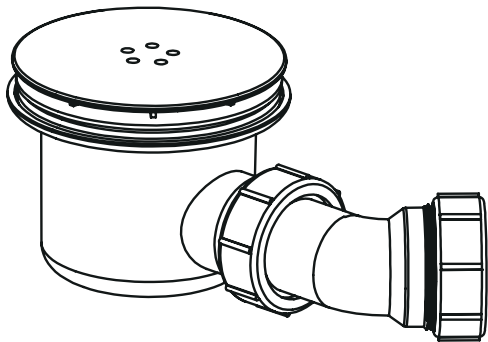


Thank you for choosing Better Bathrooms.  
Please read this manual before installing your product  
and keep for future reference.

better  
bathrooms

## 90mm Shower Tray Waste

90MMWCH / 90MMWMB / 90MMWBB / 90MMWBR

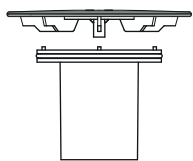


- Multi-person assembly
- Tools required
- We always recommend using professional tradespeople to install your product

V1\_10.10.25

## 90 mm Shower Trap C/W Key Installation & Assembly Instructions

### A. Trap Assembly

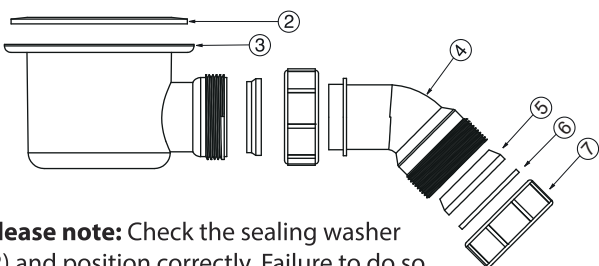


This trap provides a flow rate greater than 32L per minute when tested in accordance with EN274-2:2002. The flow rate can be adversely affected if an adequate fall is not maintained throughout the length of the waste pipe.

Install the trap into the shower tray by assembling 1,2,3,4 as shown  
Connect the trap outlet 4 to the waste pipe making sure the pipe is supported.  
Test the insulation.



SHOWER TRAY



**Please note:** Check the sealing washer (2) and position correctly. Failure to do so may result in leaks.



## Congratulations on your purchase

And welcome to our growing gang of savvy shoppers

We're on a mission to bring you extraordinary bathroom products, for less. From modern to traditional style ceramics, plus the gorgeous fixtures, fittings and furniture to match. So, you can fall in love with your space every single day.

As one of the UK's largest independent bathroom stores, we've received countless awards; including the National Business Awards UK, the Digital Entrepreneur Awards and being placed on The Sunday Times Fast Track 100.

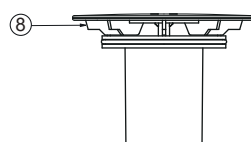
We hope your new product goes above and beyond your expectations. However, should any problems occur, please:

- log in to your account and contact our customer services team via your self-serve portal – [betterbathrooms.com/CustomerAccount/Login](https://betterbathrooms.com/CustomerAccount/Login)
- contact us via [betterbathrooms.com/content/contact-us](https://betterbathrooms.com/content/contact-us)

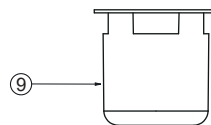
### Important information

- Please read these instructions thoroughly and retain for future reference
- Always check for pipes and cables before drilling

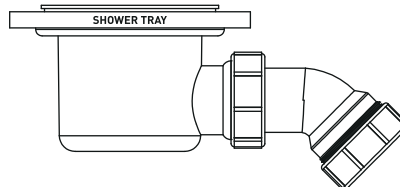
### B. Trap Fitting



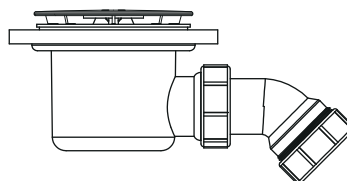
Insert the container and trap (6-7) firmly engage the trap in the bottom position



**Note:** If silicone sealant is used, do not use an acetocyc sealant



### C. Completed Assembly



**After Care:** Regular maintenance is required to retain a high flow rate. Remove the flange (5) and trap assembly (6-7) and thoroughly clean all the parts. Rinse through the trap body with clean water and carefully reassemble the parts.

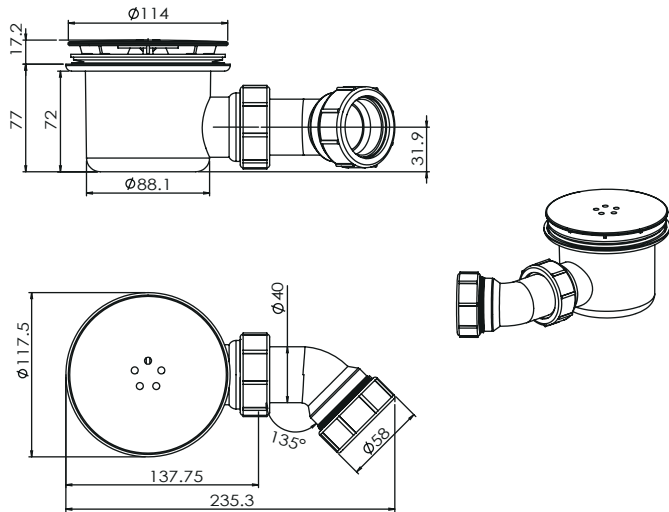
MH-01

**Warning:** Do not use abrasives, scourers, bleach or any type of chemical cleaning solution when cleaning the waste cap. Soapy water only should be used.

## Component Listing

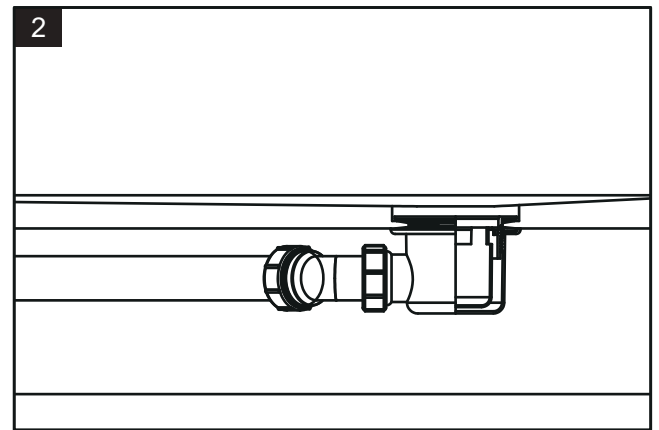
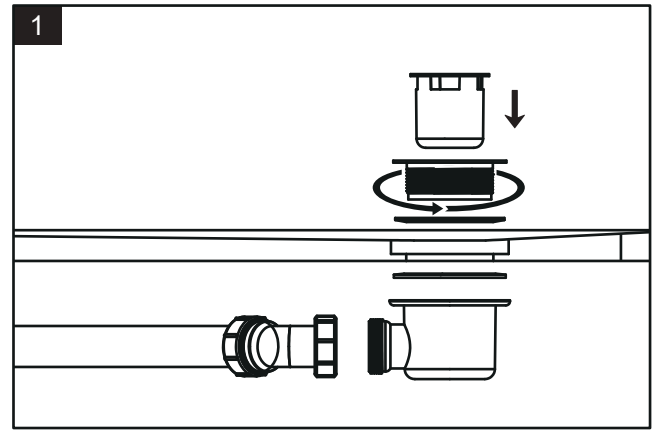
01  1pc	02  2pcs	03  1pc	04  1pc	05  2pcs	06  1pc
07  2pcs	08  1pc	09  1pc			

## Technical Drawing



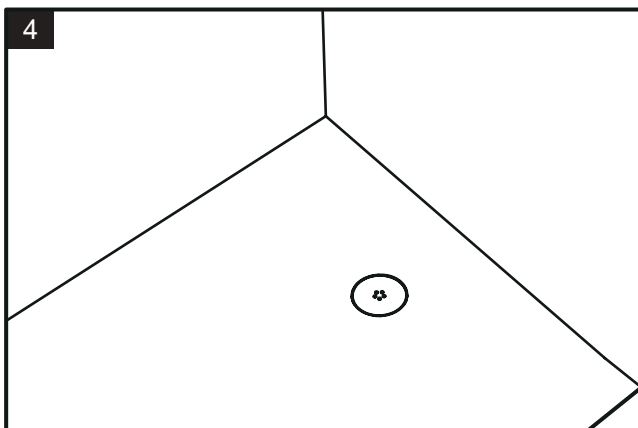
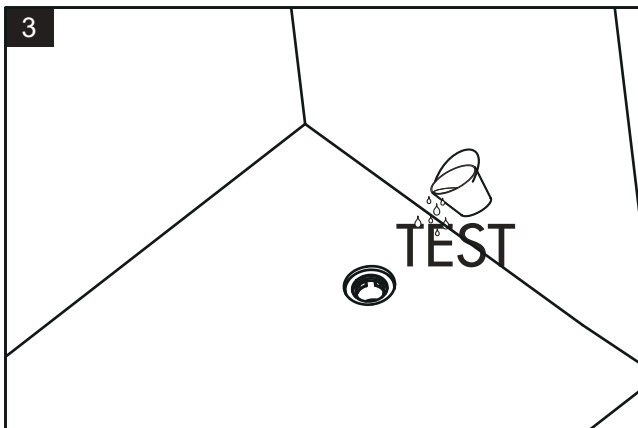
5

## Installation Instructions



6

## Installation Instructions



7

## Tools Required

### Safety Notice:

Prior to drilling into walls, check there are no hidden electrical wires, cables or water supply pipes. Always wear protective equipment such as safety glasses and hearing protection whilst using power tools.

### Tools for installation (not supplied)

PTFE Tape	Spirit Level	Spirit Level	Screw driver

## Maintenance, Care & Cleaning

All parts of the product shall be cleaned with a cloth soaked in neutral detergent soapy water, Please do not use sharp tools such as blades to clean the waste.

Please do not use strong detergent, alcohol or any abrasive cleaning substances to clean the waste. If the stain is serious, a low concentration of vinegar can be used, but must be rinsed with clean water afterwards.

### For more information

- visit [betterbathrooms.com](http://betterbathrooms.com)
- email [customerservices@buyitdirect.co.uk](mailto:customerservices@buyitdirect.co.uk)
- call 0330 390 3062
- write to Trident Business Park, Neptune Way, Huddersfield, HD2 1UA

**batter  
bathrooms**

Part of the BuyItDirect Group